

VN-Roof CH HT



Centrifugal roof fan for high temperatures

If you are looking for a fan with a specific working point, please don't hesitate to contact us by phone +31 (0)416 391999 or email info@ventinet.nl and we will select the right fan for you.

Sizes	400 up to 800 mm
Motor (standard)	Norm motor IP55, 230/1/50 or 400/3/50
Capacity	up to 18.000 m ³ /h
Pressure	up to 740 Pa
Control	Frequency converter
Casing	Steel met plastic or aluminum/steel cover
Impeller	Steel galvanized
Airflow	Extract fan
Extra	Also possible with vertical outlet
	Suitable for high temperatures up to 200°C continuously and 400°C for 120 minutes (F400)
Accessories	Protection grid / Silencer/ Shutters / Switches/ Terminal box / Roof mounting kit / Frequency converter s

VN Roof CH-HT with plastic cover

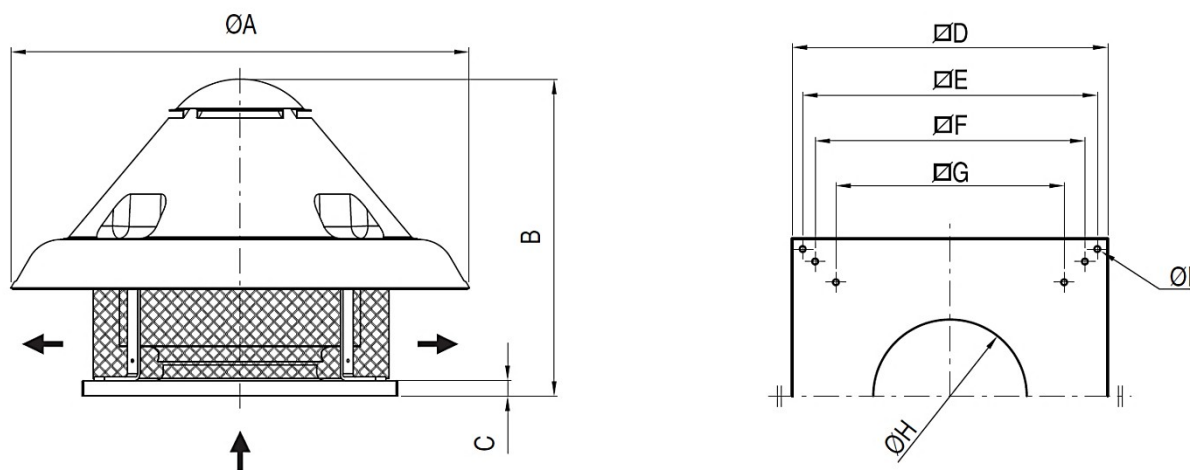
4 pole (1.500 rpm.) – 400/3/50

Model	Capacity max. (m ³ /h)	50 Pa m ³ /h	150 Pa m ³ /h	300 Pa m ³ /h	Pressure max. (Pa stat.)	Motor (kW)	In max. (A)
404 T	4.400	4.100	3.500	2.600	475	0,55	1,06
454 T	5.000	4.700	4.200	3.200	570	0,75	2,20
504 T	6.900	6.600	6.000	5.100	740	1,1	2,80

6 pole (1.000 rpm.) – 400/3/50

Model	Capacity max. (m ³ /h)	100 Pa m ³ /h	200 Pa m ³ /h	300 Pa m ³ /h	Pressure max. (Pa stat.)	Motor (kW)	In max. (A)
566 T	6.100	5.300	4.000	2.300	360	0,55	2,00
636 T	10.800	10.000	8.500	7.500	540	1,1	3,40
756 T	15.800	14.500	13.000	11.500	550	1,8	5,00
806 T	18.000	17.100	14.800	13.000	660	3	6,60

Indication dimensions VN-Roof CH HT



	øA	B	C	D	E	F	G	øH	øI
40	900	640	38	650	600	530	471	296	12
45	900	650	38	650	600	530	471	296	12
50	1100	750	38	760	710	650	550	320	14
56	1100	750	38	760	710	650	550	370	14
63	1300	850	38	930	870	775	665	430	14
75	1300	880	38	930	870	775	665	480	14
80	1300	880	38	930	870	775	665	530	14

VN-Roof CH HT met steel cover

4 pole (1.500 rpm.) – 400/3/50

Model	Capacity max. (m ³ /h)	100 Pa m ³ /h	200 Pa m ³ /h	300 Pa m ³ /h	Pressure max. (Pa stat.)	Motor (kW)	In max. (A)
404 T	4.500	4.200	3.700	3.100	450	0,37	1,10
454 T	5.700	5.500	5.000	4.300	580	0,75	2,10
504 T	8.500	8.100	7.500	6.800	650	1,1	2,90

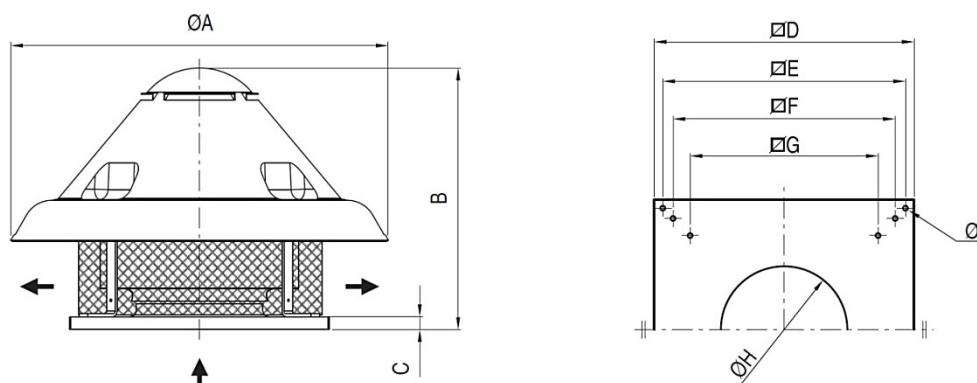
6 pole (1.000 rpm.) – 400/3/50

Model	Capacity max. (m ³ /h)	100 Pa m ³ /h	200 Pa m ³ /h	300 Pa m ³ /h	Pressure max. (Pa stat.)	Motor (kW)	In max. (A)
456 T	3.900	3.300	2.500	-	280	0,55	1,70
506 T	6.000	5.000	4.000	2.100	320	0,55	1,70
566 T	9.000	7.800	6.200	4.100	360	0,75	2,60
636 T	11.800	10.800	9.500	8.000	480	1,1	3,80
716 T	16.200	15.100	13.600	12.100	590	2,2	5,70

8 pole (750 rpm.) – 400/3/50

Model	Capacity max. (m ³ /h)	100 Pa m ³ /h	200 Pa m ³ /h	300 Pa m ³ /h	Pressure max. (Pa stat.)	Motor (kW)	In max. (A)
568 T	6.500	4.600	900	-	200	0,55	2,40
638 T	8.800	6.900	4.000	-	270	0,55	2,40
718 T	12.000	10.200	7.600	4.100	340	0,75	2,60

Indication dimensions VN-Roof CH HT with steel cover



* Image with round plastic cover

	AxA	B	C	D (F)	E	øH (G)	øI
40	800	650	30	650	600	382	11
45	800	700	30	650	600	432	11
50	970	760	35	760	710	485	11
56	970	820	35	760	710	535	11
63	1150	900	35	930	870	580	11
71	1150	950	35	930	870	634	11